

Hayat

PUMPS



Perfect Water Solution





INDEX

SR. NO.	CONTENTS	PAGE NO.
1.	Company Profile	01
2.	Facilities at Plant	02
3.	Model Identification Table	03
4.	Quality Certificates	04
5.	V3 Submersible pumpset	05
6.	V4 Submersible pumpset	07
7.	V5 Submersible pumpset	11
8.	V6 Submersible pumpset (50 FT)	13
9.	V6 Submersible pumpset (Radial / Mix Flow)	17
10.	V7 Submersible pumpset (Janta Model)	21
11.	V8 Submersible pumpset (Janta Model)	23
12.	Openwell Submersible pumps	25
13.	Control Panel	27
14.	Cable Selection Table	28
15.	Capacitor & Relay selection Table	29
16.	Conversion Table	29
17.	Technical Detail's of Motor	30
18.	Friction Loss Table	31
19.	Discharge Rating Table	32



FACILITIES AT PLANT



Rotor Process Layout



Stator Process Layout



Brazing Process



Stack Insertion Process



Burnishing Process



Welding Process



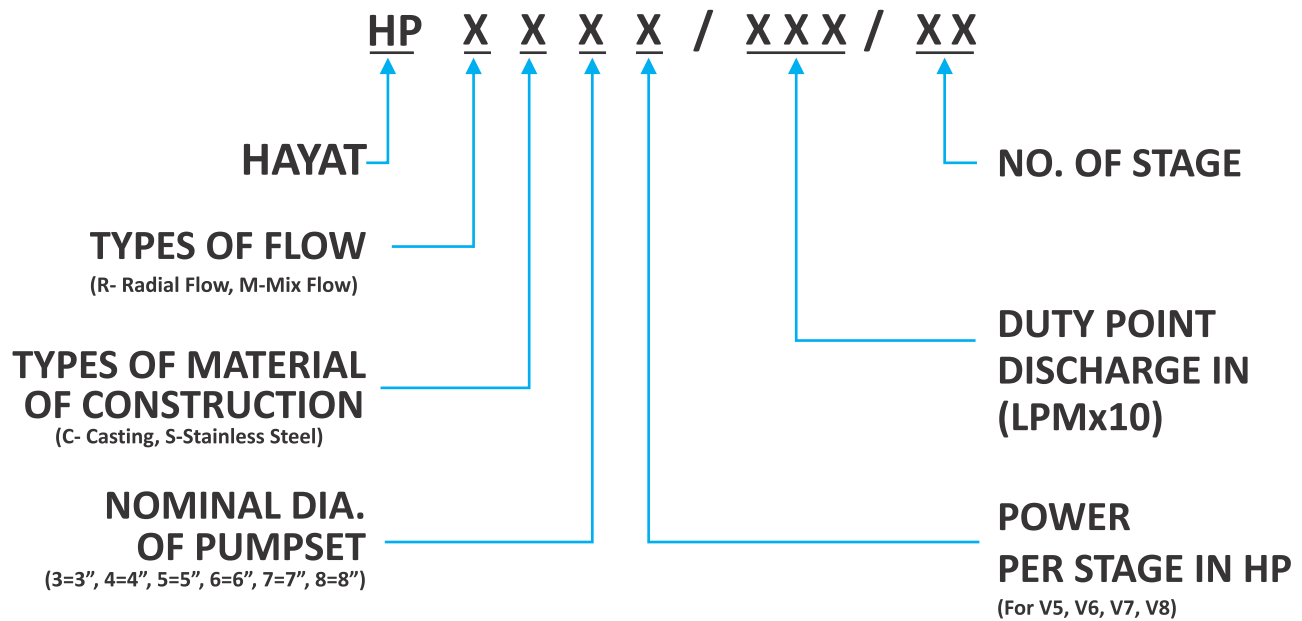
Balancing Process



CNC Turning Process

General Information

MODEL IDENTIFICATION CODE



V3 Submersible Pumpset (68 MM & 74 MM)

Hayat brand makes highly efficient durable and best Quality V3 submersible pumpset with water filled motors. Available on both outer diameter of 68mm & 74mm.



SALIENT FEATURES

1. Fully stainless steel stator tube.
2. All the diffusers and impellers are glass filled engineer polymer with stainless steel wear rings.
3. Rotor supply with Epoxy paint for long life and corrosion free.
4. Dynamically balance rotor which give noise less & vibration free operation.
5. Light weight & Easy to operate in wide voltage band.
6. All parts machined on CNC to set consistent Quality performance.
7. Rotor are grinded & burnished to give better surface finish value which ensure long life.
8. Can be installed with HDPE/ uPVC Pipes.
9. Start Easily at low voltage.
10. All hardware are stainless steel
11. All rubber parts are which NBR

APPLICATION

1. Domestic water supply-Apartment, Building & Hotel
2. Fountains, Canals & Rivers.
3. Solar Application
4. Domestic water supply.
5. Fire Fighting System.
6. Unshaped and crossed borewell.
7. Replace of hand pump.

MATERIAL OF CONSTRUCTION

MOTOR

Motor Shaft	:	Stainless Steel AISI 410
Casting Part	:	CI FG 200
Thrust Bearing	:	Tilting pad self alignment carbon S/S
Winding Wire	:	Multi layer polyester insulated
Copper	:	E.C. grade (99.9%)

PUMP

Bowl& Impeller	:	Glass Filled engineered polymer.
Suction& NRV	:	CI FG 200 grade.
Pump Shaft	:	Stainless Steel AISI 410
Pump casing	:	Stainless Steel
All Hardware	:	Stainless Steel AISI 304

TECHNICAL SPECIFICATION

Head Range	:	6 To 109 Meter.
Discharge Range	:	10 to 90 LPM.
Motor Rating	:	0.5HP to 1.5HP, 220V, 50Hz, AC Supply
Voltage Range	:	140V to 240V

V3 (75MM) 3" SUBMERSIBLE PUMPSETS

35 LPM MAX.O.D : 68 MM.

OUTLET SIZE : 25 MM 2900 RPM

PUMP MODEL	STAGE	MOTOR RATING		DISCHARGE							
		H.P	kW	M ³ /hr	0.6	1.2	1.8	2.1	2.4	3.0	3.6
				LPM	10	20	30	35	40	50	60
HPRS3/35/8	8	0.5	0.37	TOTAL HEAD IN METERS	30	27	24	24	20	16	11
HPRS3/35/12	12	0.75	0.55		45	41	36	36	30	24	17
HPRS3/35/16	16	1.0	0.75		60	54	48	48	40	32	22
HPRS3/35/20	20	1.25	0.93		75	68	60	60	50	40	28
HPRS3/35/24	24	1.5	1.1		90	82	72	66	60	48	34

40 LPM MAX.O.D : 68 MM.

OUTLET SIZE : 25 MM 2900 RPM

PUMP MODEL	STAGE	MOTOR RATING		DISCHARGE							
		H.P	kW	M ³ /hr	0.6	1.2	1.8	2.4	3.0	3.6	4.2
				LPM	10	20	30	40	50	60	70
HPRS3/4/7	7	0.5	0.37	TOTAL HEAD IN METERS	26	25	23	21	19	15	11
HPRS3/4/10	10	0.75	0.55		37	35	33	30	27	22	16
HPRS3/4/12	12	1.0	0.75		44	42	40	36	32	26	19
HPRS3/4/15	15	1.25	0.93		56	53	50	45	40	33	24
HPRS3/4/20	20	1.5	1.1		74	70	66	60	53	44	32

50 LPM MAX.O.D : 68 MM.

OUTLET SIZE : 25 MM 2900 RPM

PUMP MODEL	STAGE	MOTOR RATING		DISCHARGE							
		H.P	kW	M ³ /hr	1.2	1.8	2.4	3.0	3.6	4.2	4.8
				LPM	20	30	40	50	60	70	80
HPRS3/5/6	6	0.5	0.37	TOTAL HEAD IN METERS	22	21	20	18	16	13	10
HPRS3/5/8	8	0.75	0.55		30	28	26	24	21	18	14
HPRS3/5/10	10	1.0	0.75		37	35	33	30	27	22	17
HPRS3/5/12	12	1.25	0.93		44	42	40	36	32	26	20
HPRS3/5/15	15	1.5	1.1		56	53	50	45	40	33	26

40 LPM MAX.O.D : 74 MM.

OUTLET SIZE : 25 MM 2900 RPM

PUMP MODEL	STAGE	MOTOR RATING		DISCHARGE							
		H.P	kW	M ³ /hr	0.6	1.2	1.8	2.4	3.0	3.6	4.2
				LPM	10	20	30	40	50	60	70
HPR3/4/10	10	0.5	0.37	TOTAL HEAD IN METERS	39	36	32	26	20	14	8
HPR3/4/15	15	0.75	0.55		59	54	47	39	30	21	12
HPR3/4/17	17	1.0	0.75		66	61	54	44	34	24	14
HPR3/4/20	20	1.0	0.75		78	72	63	52	40	28	16
HPR3/4/24	24	1.25	0.93		94	86	76	62	48	34	19
HPR3/4/26	26	1.5	1.1		101	94	82	68	52	36	21
HPR3/4/28	28	1.5	1.1		109	101	88	73	56	39	22

50 LPM MAX.O.D : 74 MM.

OUTLET SIZE : 32 MM 2900 RPM

PUMP MODEL	STAGE	MOTOR RATING		DISCHARGE							
		H.P	kW	M ³ /hr	1.2	1.8	2.4	3.0	3.6	4.2	4.8
				LPM	20	30	40	50	60	70	80
HPR3/5/7	7	0.5	0.37	TOTAL HEAD IN METERS	27	26	23	20	16	12	8
HPR3/5/10	10	0.75	0.55		39	37	34	29	24	18	11
HPR3/5/12	12	1.0	0.75		47	44	40	35	28	21	13
HPR3/5/15	15	1.25	0.93		59	56	50	44	35	26	17
HPR3/5/20	20	1.5	1.1		78	74	67	58	47	35	22

60 LPM MAX.O.D : 74 MM.

OUTLET SIZE : 32 MM 2900 RPM

PUMP MODEL	STAGE	MOTOR RATING		DISCHARGE							
		H.P	kW	M ³ /hr	1.8	2.4	3.0	3.6	4.2	4.8	5.4
				LPM	30	40	50	60	70	80	90
HPR3/6/6	6	0.5	0.37	TOTAL HEAD IN METERS	25	24	22	19	16	13	10
HPR3/6/8	8	0.75	0.55		34	32	29	25	21	17	13
HPR3/6/10	10	1.0	0.75		42	40	36	32	27	22	16
HPR3/6/12	12	1.25	0.93		50	48	43	38	32	26	19
HPR3/6/15	15	1.5	1.1		63	60	54	47	40	32	24

V4 Submersible Pumpset

Hayat brand makes highly efficient best Quality water filled submersible pumpset.



SALIENT FEATURES

1. International NEMA spline coupling.
2. Thrust Bearing used with resins impregnated carbon v/s SS segments to ensure thrust load.
3. Impeller & Diffusers are used with glass filled engineering polymer with stainless steel wear rings.
4. Specially design for low voltage application.
5. Rotors are dynamically balance to minimise noise & vibration.
6. Pump & motors are in fully stainless steel design.
7. Rotor are painted with special epoxy paint for long life.
8. All sleeves are hard chrome plated to ensure the long life in sandy condition.
9. All the pumps are supply with guide bush at suction end along with sand protection.
10. NRV provided for reduce the back flow.

APPLICATION

1. Domestic water supply.
2. Industrial.
3. Agriculture.
4. Solar pumping system.
5. Fountains, Garden.

MATERIAL OF CONSTRUCTION

MOTOR

Motor Shaft	: Stainless steel AISI 410 / AISI 431.
Casting Part	: Cast Iron FG 200 grade.
Thrust Bearing	: Carbon v/s stainless steel
Stamping	: Silicon steel.
Copper	: EC Grade 99.9%

PUMP

Impeller & Diffuser	: Glass Filled engineered polymer.
Pump Shaft	: Fully Stainless Steel AISI 410
Suction Housing	: Cast Iron FG 200 grade with leaded bronze guide bush.
NRV	: Cast Iron FG 200
Sleeve	: AISI 410 with hard chrome plating

TECHNICAL SPECIFICATION

Head Range	: 4 to 335 meter
Discharge Range	: 10 to 480 LPM
Motor Rating	: 0.5HP to 5.0HP in Single Phase - 230V, 50Hz, AC Supply 0.5HP to 7.5HP in Three Phase - 380V / 415V, 50Hz, AC Supply
Voltage Range	: 150V to 250V (1 Phase) 200V to 440V (3 Phase)

V4 (100MM) 4" SUBMERSIBLE PUMPSETS

25 LPM

OUTLET SIZE : 32 MM 2900 RPM

PUMP MODEL	STAGE	MOTOR RATING		DISCHARGE					
		H.P	kW	M ³ /hr LPM	0.3	0.9	1.5	2.1	2.7
HPR4/25/8	8	0.5	0.37	TOTAL HEAD IN METERS	54	48	40	32	20
HPR4/25/14	14	0.75	0.55		95	84	71	55	36
HPR4/25/16	16	1.0	0.75		108	96	81	63	41
HPR4/25/18	18	1.0	0.75		122	108	91	71	46
HPR4/25/22	22	1.5	1.1		149	132	111	87	56
HPR4/25/24	24	1.5	1.1		162	144	121	95	61
HPR4/25/26	26	1.5	1.1		176	156	131	103	66
HPR4/25/30	30	2.0	1.5		203	180	152	119	77
HPR4/25/32	32	2.0	1.5		216	192	162	126	82
HPR4/25/46	46	3.0	2.2		311	276	232	182	117

30 LPM

OUTLET SIZE : 32 MM 2900 RPM

PUMP MODEL	STAGE	MOTOR RATING		DISCHARGE					
		H.P	kW	M ³ /hr LPM	0.6	1.2	1.8	2.4	3.0
HPR4/3/7	7	0.5	0.37	TOTAL HEAD IN METERS	50	45	37	27	14
HPR4/3/12	12	0.75	0.55		86	77	64	46	24
HPR4/3/14	14	1.0	0.75		101	90	74	53	28
HPR4/3/15	15	1.0	0.75		108	96	80	57	30
HPR4/3/20	20	1.5	1.1		144	128	106	76	40
HPR4/3/24	24	1.5	1.1		173	154	127	91	48
HPR4/3/26	26	1.5	1.1		187	166	138	99	52
HPR4/3/28	28	2.0	1.5		202	179	148	106	56
HPR4/3/30	30	2.0	1.5		216	192	159	114	60
HPR4/3/38	38	3.0	2.2		274	243	201	144	76
HPR4/3/42	42	3.0	2.2	302	269	223	160	84	

35 LPM

OUTLET SIZE : 32 MM 2900 RPM

PUMP MODEL	STAGE	MOTOR RATING		DISCHARGE					
		H.P	kW	M ³ /hr LPM	0.9	1.5	2.1	2.7	3.3
HPR4/35/5	5	0.5	0.37	TOTAL HEAD IN METERS	38	33	27	21	13
HPR4/35/10	10	0.75	0.55		75	67	54	41	25
HPR4/35/12	12	1.0	0.75		90	80	65	49	30
HPR4/35/14	14	1.5	1.1		105	93	76	57	35
HPR4/35/17	17	1.5	1.1		128	113	92	70	43
HPR4/35/20	20	2.0	1.5		150	133	108	82	50
HPR4/35/24	24	2.0	1.5		180	160	130	98	60
HPR4/35/26	26	2.0	1.5		195	173	140	107	65
HPR4/35/28	28	3.0	2.2		210	186	151	115	70
HPR4/35/30	30	3.0	2.2		225	200	162	123	75
HPR4/35/32	32	3.0	2.2	240	213	173	131	80	

50 LPM

OUTLET SIZE : 32 MM 2900 RPM

PUMP MODEL	STAGE	MOTOR RATING		DISCHARGE							
		H.P	kW	M ³ /hr LPM	0.6	1.8	2.4	3.0	3.6	4.2	5.4
HPR4/5/6	6	0.50	0.37	TOTAL HEAD IN METERS	43	38	35	32	28	24	14
HPR4/5/8	8	0.75	0.55		57	50	47	42	38	32	18
HPR4/5/10	10	1.0	0.75		71	63	59	53	47	40	23
HPR4/5/15	15	1.5	1.1		107	95	88	80	71	60	35
HPR4/5/20	20	2.0	1.5		142	126	117	106	94	80	46
HPR4/5/25	25	3.0	2.2		178	158	146	133	118	100	58
HPR4/5/32	32	4.0	3.0		227	202	187	170	150	128	74
HPR4/5/42	42	5.0	3.7		298	265	246	223	197	168	97
HPR4/5/45	45	5.0	3.7		320	284	263	239	212	180	104

Note - Titanium series also available with same performance (Tie rod design).

V4 (100MM) 4" SUBMERSIBLE PUMPSETS

60 LPM

OUTLET SIZE : 32 MM 2900 RPM

PUMP MODEL	STAGE	MOTOR RATING		DISCHARGE							
		H.P	kW	M ³ /hr	1.8	2.4	3.0	3.6	4.2	4.8	5.4
				LPM	30	40	50	60	70	80	90
HPR4/6/6	6	0.75	0.55	TOTAL HEAD IN METERS	44	42	38	34	28	23	16
HPR4/6/8	8	1.0	0.75		59	56	51	45	38	30	22
HPR4/6/10	10	1.5	1.1		74	70	64	56	47	38	27
HPR4/6/12	12	1.5	1.1		89	84	77	67	56	46	32
HPR4/6/15	15	2.0	1.5		111	105	96	84	71	57	41
HPR4/6/18	18	3.0	2.2		133	126	115	101	85	68	49
HPR4/6/20	20	3.0	2.2		148	140	128	112	94	76	54
HPR4/6/22	22	3.0	2.2		163	154	141	123	103	84	59
HPR4/6/24	24	3.0	2.2		178	168	154	134	113	91	65
HPR4/6/30	30	4.0	3.0		222	210	192	168	141	114	81
HPR4/6/38	38	5.0	3.7		281	266	243	213	179	144	103

70 LPM

OUTLET SIZE : 38 MM 2900 RPM

PUMP MODEL	STAGE	MOTOR RATING		DISCHARGE							
		H.P	kW	M ³ /hr	2.4	3.0	3.6	4.2	4.8	5.4	6.0
				LPM	40	50	60	70	80	90	100
HPR4/7/5	5	0.75	0.55	TOTAL HEAD IN METERS	34	31	29	26	23	19	16
HPR4/7/6	6	1.0	0.75		40	38	35	31	27	23	19
HPR4/7/8	8	1.5	1.1		54	50	46	41	36	30	25
HPR4/7/11	11	1.5	1.1		74	69	63	57	50	42	34
HPR4/7/12	12	2.0	1.5		80	75	69	62	54	46	37
HPR4/7/15	15	2.0	1.5		101	94	86	77	68	57	47
HPR4/7/17	17	3.0	2.2		114	106	98	88	77	65	53
HPR4/7/19	19	3.0	2.2		127	119	109	98	86	72	59
HPR4/7/23	23	3.0	2.2		154	144	132	118	104	87	71
HPR4/7/26	26	4.0	3.0		174	163	150	134	117	99	81
HPR4/7/28	28	4.0	3.0		188	175	161	144	126	106	87
HPR4/7/30	30	5.0	3.7		201	188	173	155	135	114	93
HPR4/7/32	32	5.0	3.7		214	200	184	165	144	122	99
HPR4/7/36	36	5.0	3.7		241	225	207	185	162	137	112
HPR4/7/42	42	6.0	4.5		281	263	242	216	189	160	130
HPR4/7/50	50	7.5	5.5		335	313	288	258	225	190	155

120 LPM

OUTLET SIZE : 38 MM 2900 RPM

PUMP MODEL	STAGE	MOTOR RATING		DISCHARGE							
		H.P	kW	M ³ /hr	3.0	4.8	6.0	7.2	8.4	9.6	11.4
				LPM	50	80	100	120	140	160	190
HPR4/12/5	5	1.0	0.75	TOTAL HEAD IN METERS	33	30	28	25	22	18	11
HPR4/12/7	7	1.5	1.1		46	42	39	35	30	25	15
HPR4/12/10	10	2.0	1.5		65	60	56	50	44	35	21
HPR4/12/12	12	3.0	2.2		78	72	67	60	52	42	25
HPR4/12/15	15	3.0	2.2		98	90	84	75	65	53	32
HPR4/12/19	19	4.0	3.0		124	114	106	95	83	67	40
HPR4/12/22	22	5.0	3.7		143	132	123	110	96	77	46
HPR4/12/25	25	5.0	3.7		163	150	140	125	109	88	53
HPR4/12/30	30	6.0	4.5		195	180	168	150	131	105	63
HPR4/12/35	35	7.5	5.5		228	210	196	175	152	123	74

Note - Titanium series also available with same performance (Tie rod design).

V4 (100MM) 4" SUBMERSIBLE PUMPSETS

170 LPM

OUTLET SIZE : 50 MM 2900 RPM

PUMP MODEL	STAGE	MOTOR RATING		DISCHARGE							
		H.P	kW	M ³ /hr LPM	6.6	7.8	9.0	10.2	11.4	12.6	13.8
HPR4/17/6	6	1.5	1.1	TOTAL HEAD IN METERS	30	28	25	22	18	14	11
HPR4/17/8	8	2.0	1.5		40	37	33	29	24	19	15
HPR4/17/10	10	3.0	2.2		50	46	41	36	30	24	19
HPR4/17/12	12	3.0	2.2		60	55	49	43	36	29	23
HPR4/17/16	16	4.0	3.0		80	74	66	58	48	38	30
HPR4/17/20	20	5.0	3.7		100	92	82	72	60	48	38
HPR4/17/24	24	6.0	4.5		120	110	98	86	72	58	46
HPR4/17/30	30	7.5	5.5		150	138	123	108	90	72	57

300 LPM

OUTLET SIZE : 65 MM 2900 RPM

PUMP MODEL	STAGE	MOTOR RATING		DISCHARGE							
		H.P	kW	M ³ /hr LPM	9.0	12.0	15.0	18.0	21.0	24.0	27.0
HPM4/30/5	5	2.0	1.5	TOTAL HEAD IN METERS	23	20	18	15	12	8	4
HPM4/30/7	7	3.0	2.2		32	28	25	21	16	11	6
HPM4/30/8	8	3.0	2.2		36	32	29	24	18	12	7
HPM4/30/9	9	3.0	2.2		41	36	32	27	21	14	8
HPM4/30/11	11	4.0	3.0		50	45	40	32	25	17	9
HPM4/30/13	13	5.0	3.7		59	53	47	38	30	20	11
HPM4/30/14	14	5.0	3.7		63	57	50	41	32	22	12
HPM4/30/16	16	6.0	4.5		72	65	58	47	37	25	14
HPM4/30/20	20	7.5	5.5		90	81	72	59	46	31	17

330 LPM

OUTLET SIZE : 65 MM 2900 RPM

PUMP MODEL	STAGE	MOTOR RATING		DISCHARGE							
		H.P	kW	M ³ /hr LPM	10.8	13.8	16.8	19.8	22.8	25.8	28.8
HPM4/33/5	5	2.0	1.5	TOTAL HEAD IN METERS	24	22	20	17	14	11	7
HPM4/33/7	7	3.0	2.2		33	30	27	24	20	15	9
HPM4/33/9	9	4.0	3.0		42	39	35	31	25	19	12
HPM4/33/11	11	5.0	3.7		52	48	43	37	31	23	14
HPM4/33/14	14	6.0	4.5		66	61	55	48	39	29	18
HPM4/33/17	17	7.5	5.5		80	74	66	58	48	36	22

Note - Titanium series also available with same performance (Tie rod design).

V5 Submersible Pumpset

Hayat brand makes highly efficient durable and best Quality V5 submersible pumpset with water filled submersible motors.



SALIENT FEATURES

1. High efficient investment casting process diffusers are use with AISI 304 Material.
2. All the rotating parts are balance in precision grade to reduce vibration & noise..
3. All guide bushes are protected with sand guards.
4. Upper thrust provision provided in each model.
5. Pumps are provided with suction guide support.
6. Bearing sleeves are provided with hard chrome plating.
7. Carbon V/S Stainless steel thrust bearing are provided to withstand high thrust load.
8. Pumps are Design for maximum water discharge.
9. Winding wires are wrapped with superior polymer to withstand wide voltage fluctuation.
10. Rotors are painted with special epoxy paint for long life.

APPLICATION

1. Irrigation/Sprinkler
2. Commodity water supply.
3. Industrial
4. High rise buildings
5. Sprinklers
6. Unshaped and crooked 6" borehole

MATERIAL OF CONSTRUCTION

MOTOR

Motor Shaft	:	Fully Stainless steel AISI 410.
Stamping	:	Silicon steel.
Casting Part	:	Cast Iron FG 200 grade.
Thrust Bearing	:	Carbon v/s Stainless Steel.
Copper	:	EC grade min 99.90%.

PUMP

Diffuser	:	AISI 304 Investment Casting
Impeller	:	Stainless Steel AISI 410
Suction Housing	:	Cast Iron FG 200 grade.
Pump Shaft	:	Fully Stainless Steel AISI 410
Sleeve	:	AISI 410 with hard chrome plating.

TECHNICAL SPECIFICATION

Head Range	:	24 to 268 meter
Discharge Range	:	60 to 420 LPM
Motor Rating	:	3.0 HP to 15.0 HP in three phase. - 380V /415V, 50Hz, AC Supply 3.0 HP to 5.0 HP in single phase. - 230V, 50Hz, AC Supply
Voltage Range	:	160V to 250V (1 Phase) 200V to 440V (3 Phase)

V5 (125MM) (V6 SLIM) SUBMERSIBLE PUMPSETS

120 LPM

OUTLET SIZE : 50 MM 2900 RPM

PUMP MODEL	STAGE	MOTOR RATING		DISCHARGE							
		H.P	kW	M ³ /hr	3.6	4.8	6.0	7.2	8.4	9.6	10.8
				LPM	60	80	100	120	140	160	180
HPRS55/12/10	10	5.0	3.7	TOTAL HEAD IN METERS	107	102	95	87	78	66	52
HPRS55/12/12	12	6.0	4.5		128	122	114	104	94	79	62
HPRS55/12/15	15	7.5	5.5		161	153	143	131	117	99	78
HPRS55/12/20	20	10.0	7.5		214	204	190	174	156	132	104
HPRS55/12/25	25	12.5	9.3		268	255	238	218	195	165	130

140 LPM

OUTLET SIZE : 50 MM 2900 RPM

PUMP MODEL	STAGE	MOTOR RATING		DISCHARGE							
		H.P	kW	M ³ /hr	4.8	6.0	7.2	8.4	9.6	10.8	12.0
				LPM	80	100	120	140	160	180	200
HPRS56/14/8	8	5.0	3.7	TOTAL HEAD IN METERS	85	80	74	66	58	49	40
HPRS56/14/10	10	6.0	4.5		106	100	92	82	72	61	50
HPRS56/14/12	12	7.5	5.5		127	120	110	98	86	73	60
HPRS56/14/16	16	10.0	7.5		170	160	147	131	115	98	80
HPRS56/14/18	18	12.5	9.3		191	180	166	148	130	110	90
HPRS56/14/22	22	15.0	11.0		233	220	202	180	158	134	110
HPRS56/14/25	25	15.0	11.0		265	250	230	205	180	153	125

175 LPM

OUTLET SIZE : 50 MM 2900 RPM

PUMP MODEL	STAGE	MOTOR RATING		DISCHARGE							
		H.P	kW	M ³ /hr	6.0	7.5	9.0	10.5	12.0	13.5	15.0
				LPM	100	125	150	175	200	225	250
HPRS58/17/6	6	5.0	3.7	TOTAL HEAD IN METERS	66	63	59	53	48	42	36
HPRS58/17/8	8	6.0	4.5		88	84	78	71	64	56	48
HPRS58/17/10	10	7.5	5.5		110	105	98	89	80	70	60
HPRS58/17/12	12	10.0	7.5		132	126	118	107	96	84	72
HPRS58/17/15	15	12.5	9.3		165	158	147	134	120	105	90
HPRS58/17/18	18	15.0	11.0		198	189	176	160	144	126	108

230 LPM

OUTLET SIZE : 50 MM 2900 RPM

PUMP MODEL	STAGE	MOTOR RATING		DISCHARGE							
		H.P	kW	M ³ /hr	8.4	10.8	12.6	13.8	15.0	16.8	19.2
				LPM	140	180	210	230	250	280	320
HPRS510/23/5	5	5.0	3.7	TOTAL HEAD IN METERS	58	55	52	49	46	40	32
HPRS510/23/6	6	6.0	4.5		70	66	62	58	55	48	38
HPRS510/23/8	8	7.5	5.5		93	88	82	78	73	64	51
HPRS510/23/10	10	10.0	7.5		116	110	103	97	91	80	64
HPRS510/23/12	12	12.5	9.3		139	132	124	116	109	96	77
HPRS510/23/15	15	15.0	11.0		174	165	155	146	137	120	96

300 LPM

OUTLET SIZE : 50 MM / 65 MM 2900 RPM

PUMP MODEL	STAGE	MOTOR RATING		DISCHARGE							
		H.P	kW	M ³ /hr	10.8	13.2	15.6	18.0	20.4	22.8	25.2
				LPM	180	220	260	300	340	380	420
HPRS512/30/4	4	5.0	3.7	TOTAL HEAD IN METERS	46	43	40	36	32	28	24
HPRS512/30/5	5	6.0	4.5		57	54	50	46	41	36	30
HPRS512/30/6	6	7.5	5.5		68	65	60	55	49	43	36
HPRS512/30/8	8	10.0	7.5		91	86	80	73	65	57	48
HPRS512/30/10	10	12.5	9.3		114	108	100	91	81	71	60
HPRS512/30/12	12	15.0	11.0		137	130	120	109	97	85	72

V6 (50 FT) Submersible Pumpset



Hayat brand makes highly efficient durable and best Quality V6 (50 ft.) high head submersible pumpset with water filled submersible motors.

SALIENT FEATURES

1. High efficient investment casting process diffusers are use with AISI 304 Material.
2. All the rotating parts are balance in precision grade to reduce vibration & noise.
3. All guide bushes are protected with sand guards.
4. Upper thrust provision provided in each model.
5. All pumps are provided with suction guide support.
6. All Bearing sleeves are provided with hard crome plating.
7. Carbon V/S Stainless steel thrust bearing are provided to withstand high thrust load.
8. Pumps are Design for maximum water discharge.
9. Winding wires are wrapped with superior polymer to withstand wide voltage fluctuation.
10. Rotors are painted with special epoxy paint for long life.

APPLICATION

1. Irrigation/Sprinkler
2. Commodity water supply
3. Industrial
4. High rise buildings
5. Sprinklers

MATERIAL OF CONSTRUCTION

MOTOR

Motor Shaft	: Fully Stainless steel AISI 410.
Stamping	: Silicon steel.
Casting Part	: Cast Iron FG 200 grade.
Thrust Bearing	: Carbon v/s Stainless Steel.
Copper	: EC grade min 99.90%.

PUMP

Diffuser	: SS 304 Investment Casting
Pump Shaft	: Fully Stainless Steel AISI 410
Suction Housing	: Cast Iron FG 200 grade.
Impeller	: Stainless Steel AISI 410.
Sleeve	: AISI 410 with hard chrome plating.

TECHNICAL SPECIFICATION

Head Range	: 10 to 450 meter
Discharge Range	: 40 to 780 LPM
Motor Rating	: 3.0 HP to 30 HP in three phase. - 380V / 415 V, 50 Hz, AC Supply 3.0 HP to 5.0 HP in single phase. - 230V, 50Hz. AC Supply
Voltage Range	: 160V to 250V (1 Phase) 200V to 440V (3 Phase)

V6 (150MM) HIGH HEAD SUBMERSIBLE PUMPSETS

110 LPM

OUTLET SIZE :50 MM 2900 RPM

PUMP MODEL	STAGE	MOTOR RATING		DISCHARGE							
		H.P	kW	M ³ /hr	2.4	4.2	5.4	6.6	7.8	9.0	10.8
				LPM	40	70	90	110	130	150	180
HPRS65/11/6	6	3.0	2.2	TOTAL HEAD IN METERS	85	83	81	77	69	57	37
HPRS65/11/10	10	5.0	3.7		142	138	135	128	115	95	61
HPRS65/11/12	12	6.0	4.5		170	166	162	154	138	114	73
HPRS65/11/15	15	7.5	5.5		213	207	203	192	173	143	92
HPRS65/11/20	20	10.0	7.5		284	276	270	256	230	190	122
HPRS65/11/24	24	12.5	9.3		341	331	324	307	276	228	146
HPRS65/11/30	30	15.0	11.0		426	414	405	384	345	285	183

150 LPM

OUTLET SIZE : 50 MM 2900 RPM

PUMP MODEL	STAGE	MOTOR RATING		DISCHARGE							
		H.P	kW	M ³ /hr	4.5	6.0	7.5	9.0	10.5	12.0	13.5
				LPM	75	100	125	150	175	200	225
HPRS66/15/5	5	3.0	2.2	TOTAL HEAD IN METERS	75	72	67	60	53	45	37
HPRS66/15/8	8	5.0	3.7		120	115	106	96	84	72	59
HPRS66/15/10	10	6.0	4.5		150	144	133	120	105	90	74
HPRS66/15/12	12	7.5	5.5		180	173	160	144	126	108	89
HPRS66/15/16	16	10.0	7.5		240	230	213	192	168	144	118
HPRS66/15/20	20	12.5	9.3		300	288	266	240	210	180	148
HPRS66/15/24	24	15.0	11.0		360	346	319	288	252	216	178

200 LPM

OUTLET SIZE : 50 MM 2900 RPM

PUMP MODEL	STAGE	MOTOR RATING		DISCHARGE							
		H.P	kW	M ³ /hr	6.6	9.6	10.8	12.0	13.2	14.4	17.4
				LPM	110	160	180	200	220	240	290
HPRS68/20/4	4	3.0	2.2	TOTAL HEAD IN METERS	60	56	52	48	44	39	24
HPRS68/20/6	6	5.0	3.7		90	83	79	73	66	59	37
HPRS68/20/8	8	6.0	4.5		120	111	105	97	88	78	49
HPRS68/20/10	10	7.5	5.5		150	139	131	121	110	98	61
HPRS68/20/12	12	10.0	7.5		180	167	157	145	132	118	73
HPRS68/20/15	15	12.5	9.3		225	209	197	182	165	147	92
HPRS68/20/18	18	15.0	11.0		270	250	236	218	198	176	110
HPRS68/20/21	21	17.5	13.0		315	292	275	254	231	206	128
HPRS68/20/24	24	20.0	15.0		360	334	314	290	264	235	146

V6 (150MM) HIGH HEAD SUBMERSIBLE PUMPSETS

250 LPM

OUTLET SIZE : 65MM 2900 RPM

PUMP MODEL	STAGE	MOTOR RATING		DISCHARGE							
		H.P	kW	M ³ /hr	6.0	9.0	12.0	15.0	18.0	21.0	24.0
				LPM	100	150	200	250	300	350	400
HPRS610/25/3	3	3.0	2.2	TOTAL HEAD IN METERS	45	44	41	36	30	23	15
HPRS610/25/5	5	5.0	3.7		75	73	68	60	50	39	25
HPRS610/25/6	6	6.0	4.5		90	87	81	72	60	46	30
HPRS610/25/8	8	7.5	5.5		120	116	108	96	80	62	40
HPRS610/25/10	10	10.0	7.5		150	145	135	120	100	77	50
HPRS610/25/12	12	12.5	9.3		180	174	162	144	120	92	60
HPRS610/25/15	15	15.0	11.0		225	218	203	180	150	116	75
HPRS610/25/18	18	17.5	13.0		270	261	243	216	180	139	90
HPRS610/25/20	20	20.0	15.0		300	290	270	240	200	154	100
HPRS610/25/25	25	25.0	18.5		375	363	338	300	250	193	125
HPRS610/25/30	30	30.0	22.0		450	435	405	360	300	231	150

340 LPM

OUTLET SIZE : 65 MM 2900 RPM

PUMP MODEL	STAGE	MOTOR RATING		DISCHARGE							
		H.P	kW	M ³ /hr	12.0	15.6	18.0	20.4	22.8	25.2	28.8
				LPM	200	260	300	340	380	420	480
HPRS612/34/4	4	5.0	3.7	TOTAL HEAD IN METERS	59	56	53	49	44	38	28
HPRS612/34/5	5	6.0	4.5		74	70	67	61	55	48	35
HPRS612/34/6	6	7.5	5.5		88	84	80	73	66	57	42
HPRS612/34/8	8	10.0	7.5		118	112	106	98	88	76	56
HPRS612/34/10	10	12.5	9.3		147	140	133	122	110	95	70
HPRS612/34/12	12	15.0	11.0		176	168	160	146	132	114	84
HPRS612/34/14	14	17.5	13.0		206	196	186	171	154	133	98
HPRS612/34/16	16	20.0	15.0		235	224	213	195	176	152	112
HPRS612/34/20	20	25.0	18.5		294	280	266	244	220	190	140
HPRS612/34/24	24	30.0	22.0		353	336	319	293	264	228	168

V6 (150MM) HIGH HEAD SUBMERSIBLE PUMPSETS

410 LPM

OUTLET SIZE : 65 MM 2900 RPM

PUMP MODEL	STAGE	MOTOR RATING		DISCHARGE							
		H.P	kW	M ³ /hr	14.4	19.2	22.2	24.6	27.0	30.0	34.8
				LPM	240	320	370	410	450	500	580
HPRS615/41/2	2	3.0	2.2	TOTAL HEAD IN METERS	30	28	26	24	21	17	10
HPRS615/41/3	3	5.0	3.7		45	42	39	35	32	26	15
HPRS615/41/4	4	6.0	4.5		60	56	52	47	42	34	20
HPRS615/41/5	5	7.5	5.5		75	70	65	59	53	43	25
HPRS615/41/7	7	10.0	7.5		105	98	90	83	74	60	35
HPRS615/41/8	8	12.5	9.3		120	112	103	94	84	68	40
HPRS615/41/10	10	15.0	11.0		150	140	129	118	105	85	50
HPRS615/41/12	12	17.5	13.0		180	168	155	142	126	102	60
HPRS615/41/13	13	20.0	15.0		195	182	168	153	137	111	65
HPRS615/41/17	17	25.0	18.5		255	238	219	201	179	145	85
HPRS615/41/20	20	30.0	22.0		300	280	258	236	210	170	100

500 LPM

OUTLET SIZE : 65 MM 2900 RPM

PUMP MODEL	STAGE	MOTOR RATING		DISCHARGE							
		H.P	kW	M ³ /hr	13.8	19.8	24.0	30.0	36.0	40.2	46.2
				LPM	230	330	400	500	600	670	770
HPRS620/50/3	3	6.0	4.5	TOTAL HEAD IN METERS	44	42	39	34	28	23	15
HPRS620/50/4	4	7.5	5.5		59	56	52	46	37	31	20
HPRS620/50/5	5	10.0	7.5		74	70	65	57	47	39	25
HPRS620/50/6	6	12.5	9.3		89	83	78	68	56	46	29
HPRS620/50/8	8	15.0	11.0		118	111	104	91	74	62	39
HPRS620/50/9	9	17.5	13.0		133	125	117	103	84	69	44
HPRS620/50/10	10	20.0	15.0		148	139	130	114	93	77	49
HPRS620/50/12	12	25.0	18.5		178	167	156	137	112	92	59
HPRS620/50/15	15	30.0	22.0		222	209	195	171	140	116	74

550 LPM

OUTLET SIZE : 65 MM 2900 RPM

PUMP MODEL	STAGE	MOTOR RATING		DISCHARGE							
		H.P	kW	M ³ /hr	19.2	22.8	27.6	33.0	38.4	43.2	46.8
				LPM	320	380	460	550	640	720	780
HPRS625/55/3	3	7.5	5.5	TOTAL HEAD IN METERS	46	44	41	36	29	22	15
HPRS625/55/4	4	10.0	7.5		61	59	55	48	39	29	20
HPRS625/55/5	5	12.5	9.3		76	74	69	60	49	36	25
HPRS625/55/6	6	15.0	11.0		91	89	83	72	58	43	30
HPRS625/55/8	8	20.0	15.0		122	118	110	96	78	58	40
HPRS625/55/9	9	25.0	18.5		137	133	124	108	87	65	45
HPRS625/55/10	10	25.0	18.5		152	148	138	120	97	72	50
HPRS625/55/12	12	30.0	22.0		182	178	166	144	116	86	60

V6 (Radial /Mix flow) Submersible Pumpset

Hayat brand makes highly efficient durable and best Quality V6 submersible pumpset with water filled submersible motors.



SALIENT FEATHERS

1. Robust construction to ensure durability of pumpset.
2. Winding wires are wrapped with superior polymer to withstand wide voltage fluctuation.
3. All the rotating parts are dynamically balance to reduce vibration & noise.
4. Carbon Bearing v/s Stainless Steel Segments are used to withstand high thrust load.
5. All guide bushes are protected with sand guards.
6. Bearing sleeves are provided with hard chrome plating for better life in sandy conditions.
7. Rotors are painted with special epoxy paint for long life.
8. NRV are provided for reduce back pressure.
9. Motors are also available in single phase and three phase design.
10. Motor design for wide voltage range.

APPLICATION

1. Sprinkler & drip Irrigation system.
2. Irrigation in farms.
3. Domestic & Industrial water supply.
4. Fire Fighting system.
5. Solar pumping system.

MATERIAL OF CONSTRUCTION

MOTOR

Motor Shaft	: Fully Stainless steel AISI 410.
Stamping	: Silicon steel.
Casting Part	: Cast Iron FG 200 grade.
Thrust Bearing	: Carbon v/s Stainless Steel.
Copper	: EC grade min 99.90%.

PUMP

Pump Shaft	: Fully Stainless Steel AISI 410
Suction Housing	: Cast Iron FG 200 grade.
Impeller	: Stainless Steel AISI 410/ Glass filled engineerign polymer
Diffuser	: Cast Iron FG 200 grade.
Sleeve	: AISI 410 with hard chrome plating.

TECHNICAL SPECIFICATION

Head Range	: A) Radial flow-13 to 245 meters B) Mix Flow- 9 to 216 meters
Discharge Range	: A) Radial flow- 70 to 450 LPM B) Mix Flow-200 to 1150 LPM
Motor Rating	: 3.0 HP to 30 HP in three phase, 380V / 415 V, 50Hz, AC Supply 3.0 HP to 5.0 HP in single phase, 230V / 50Hz AC Supply
Voltage Range	: 160V to 250V (1 Phase) 200V to 440V (3 Phase)

RADIAL FLOW
V6 (150MM) SUBMERSIBLE PUMPSETS

150 LPM

OUTLET SIZE : 50 MM 2900 RPM

PUMP MODEL	STAGE	MOTOR RATING		DISCHARGE							
		H.P	kW	M ³ /hr	4.2	6.0	7.2	9.0	10.8	12.0	13.8
				LPM	70	100	120	150	180	200	230
HPRC64/15/8	8	3.0	2.2	TOTAL HEAD IN METERS	76	72	69	63	55	49	39
HPRC64/15/10	10	4.0	3.0		95	90	86	79	69	62	49
HPRC64/15/12	12	5.0	3.7		114	108	103	95	83	74	59
HPRC64/15/14	14	6.0	4.5		133	126	120	111	97	86	69
HPRC64/15/15	15	6.0	4.5		143	135	129	119	104	92	74
HPRC64/15/18	18	7.5	5.5		171	162	155	142	124	111	88
HPRC64/15/20	20	7.5	5.5		190	180	172	158	138	123	98
HPRC64/15/24	24	10.0	7.5		228	216	206	190	166	148	118

200 LPM

OUTLET SIZE : 50 MM 2900 RPM

PUMP MODEL	STAGE	MOTOR RATING		DISCHARGE							
		H.P	kW	M ³ /hr	7.2	9.0	10.2	12.0	13.8	15.0	16.8
				LPM	120	150	170	200	230	250	280
HPRC65/20/4	4	3.0	2.2	TOTAL HEAD IN METERS	38	36	35	31	28	23	17
HPRC65/20/6	6	3.0	2.2		57	55	52	47	42	34	25
HPRC65/20/7	7	4.0	3.0		67	64	61	55	49	40	29
HPRC65/20/8	8	5.0	3.7		76	73	70	62	56	46	34
HPRC65/20/10	10	5.0	3.7		95	91	87	78	70	57	42
HPRC65/20/12	12	6.0	4.5		114	109	104	94	84	68	50
HPRC65/20/14	14	7.5	5.5		133	127	122	109	98	80	59
HPRC65/20/15	15	7.5	5.5		143	137	131	117	105	86	63
HPRC65/20/18	18	10.0	7.5		171	164	157	140	126	103	76
HPRC65/20/20	20	10.0	7.5		190	182	174	156	140	114	84
HPRC65/20/25	25	12.5	9.3		238	228	218	195	175	143	105

230 LPM

OUTLET SIZE : 50 MM 2900 RPM

PUMP MODEL	STAGE	MOTOR RATING		DISCHARGE							
		H.P	kW	M ³ /hr	7.8	10.2	12.0	13.8	15.6	17.4	19.8
				LPM	130	170	200	230	260	290	330
HPRC66/23/4	4	3.0	2.2	TOTAL HEAD IN METERS	39	38	36	33	29	24	17
HPRC66/23/5	5	3.0	2.2		49	47	45	41	37	31	21
HPRC66/23/6	6	4.0	3.0		59	56	53	49	44	37	25
HPRC66/23/8	8	5.0	3.7		78	75	71	66	58	49	34
HPRC66/23/10	10	6.0	4.5		98	94	89	82	73	61	42
HPRC66/23/12	12	7.5	5.5		118	113	107	98	88	73	50
HPRC66/23/15	15	10.0	7.5		147	141	134	123	110	92	63
HPRC66/23/16	16	10.0	7.5		157	150	142	131	117	98	67
HPRC66/23/18	18	12.5	9.3		176	169	160	148	131	110	76
HPRC66/23/20	20	12.5	9.3		196	188	178	164	146	122	84
HPRC66/23/25	25	15.0	11.0		245	235	223	205	183	153	105

Note - TFRCH series also available with noryl impeller.

V6 (150MM) SUBMERSIBLE PUMPSETS - RADIAL

250 LPM

OUTLET SIZE : 50 MM 2900 RPM

PUMP MODEL	STAGE	MOTOR RATING		DISCHARGE							
		H.P	kW	M ³ /hr	9.0	11.4	13.2	15.0	16.8	18.6	21.0
				LPM	150	190	220	250	280	310	350
HPRC67/25/4	4	3.0	2.2	TOTAL HEAD IN METERS	42	40	37	34	31	27	21
HPRC67/25/5	5	4.0	3.0		52	50	47	43	38	34	26
HPRC67/25/6	6	5.0	3.7		62	59	56	51	46	40	31
HPRC67/25/7	7	5.0	3.7		73	69	65	60	54	47	36
HPRC67/25/8	8	6.0	4.5		83	79	74	68	61	54	42
HPRC67/25/10	10	7.5	5.5		104	99	93	85	77	67	52
HPRC67/25/12	12	10.0	7.5		125	119	112	102	92	80	62
HPRC67/25/14	14	10.0	7.5		146	139	130	119	107	94	73
HPRC67/25/16	16	12.5	9.3		166	158	149	136	122	107	83
HPRC67/25/17	17	12.5	9.3		177	168	158	145	130	114	88
HPRC67/25/20	20	15.0	11.0		208	198	186	170	153	134	104
HPRC67/25/21	21	15.0	11.0		218	208	195	179	161	141	109

330 LPM

OUTLET SIZE : 50 MM 2900 RPM

PUMP MODEL	STAGE	MOTOR RATING		DISCHARGE							
		H.P	kW	M ³ /hr	12.6	15.6	18.0	19.8	21.6	24.0	27.0
				LPM	210	260	300	330	360	400	450
HPRC610/33/3	3	3.0	2.2	TOTAL HEAD IN METERS	31	30	28	26	24	19	13
HPRC610/33/4	4	4.0	3.0		41	40	38	35	32	26	17
HPRC610/33/5	5	5.0	3.7		52	50	47	44	40	32	22
HPRC610/33/6	6	6.0	4.5		62	59	56	53	47	38	26
HPRC610/33/7	7	7.5	5.5		72	69	66	61	55	45	30
HPRC610/33/8	8	7.5	5.5		82	79	75	70	63	51	34
HPRC610/33/10	10	10.0	7.5		103	99	94	88	79	64	43
HPRC610/33/12	12	12.5	9.3		124	119	113	105	95	77	52
HPRC610/33/14	14	15.0	11.0		144	139	132	123	111	90	60
HPRC610/33/15	15	15.0	11.0		155	149	141	131	119	96	65
HPRC610/33/16	16	17.5	13.0		165	158	150	140	126	102	69
HPRC610/33/17	17	17.5	13.0		175	168	160	149	134	109	73
HPRC610/33/18	18	20.0	15.0		185	178	169	158	142	115	77
HPRC610/33/20	20	20.0	15.0		206	198	188	175	158	128	86

MIX FLOW

V6 (150MM) SUBMERSIBLE PUMPSETS

400 LPM

OUTLET SIZE : 65 MM 2900 RPM

PUMP MODEL	STAGE	MOTOR RATING		DISCHARGE							
		H.P	kW	M ³ /hr	12.0	18.0	21.0	24.0	27.0	30.0	36.0
				LPM	200	300	350	400	450	500	600
HPMC610/40/3	3	3.0	2.2	TOTAL HEAD IN METERS	28	26	24	23	21	19	14
HPMC610/40/4	4	4.0	3.0		37	34	32	30	28	25	19
HPMC610/40/5	5	5.0	3.7		46	43	40	38	35	31	24
HPMC610/40/6	6	6.0	4.5		56	51	48	45	41	38	29
HPMC610/40/8	8	7.5	5.5		74	68	64	60	55	50	38
HPMC610/40/10	10	10.0	7.5		93	85	80	75	69	63	48
HPMC610/40/12	12	12.5	9.3		111	102	96	90	83	75	57
HPMC610/40/15	15	15.0	11.0		139	128	120	113	104	94	71
HPMC610/40/17	17	17.5	13.0		157	145	136	128	117	106	81
HPMC610/40/20	20	20.0	15.0		185	170	160	150	138	125	95

V6 (150MM) SUBMERSIBLE PUMPSETS

450 LPM

OUTLET SIZE : 65 MM 2900 RPM

PUMP MODEL	STAGE	MOTOR RATING		DISCHARGE							
		H.P	kW	M ³ /hr	15.0	21.0	24.0	27.0	30.0	33.0	39.0
				LPM	250	350	400	450	500	550	650
HPMC612/45/3	3	4.0	3.0	TOTAL HEAD IN METERS	32	30	29	27	25	23	17
HPMC612/45/4	4	5.0	3.7		43	40	38	36	33	30	23
HPMC612/45/5	5	6.0	4.5		54	50	48	45	42	38	29
HPMC612/45/6	6	7.5	5.5		65	60	57	53	50	46	35
HPMC612/45/8	8	10.0	7.5		86	80	76	71	66	61	46
HPMC612/45/10	10	12.5	9.3		108	100	95	89	83	76	58
HPMC612/45/12	12	15.0	11.0		130	120	114	107	100	91	70
HPMC612/45/14	14	17.5	13.0		151	140	133	125	116	106	81
HPMC612/45/16	16	20.0	15.0		173	160	152	142	133	122	93
HPMC612/45/18	18	25.0	18.5		194	180	171	160	149	137	104
HPMC612/45/20	20	25.0	18.5		216	200	190	178	166	152	116

550 LPM

OUTLET SIZE : 75 MM 2900 RPM

PUMP MODEL	STAGE	MOTOR RATING		DISCHARGE							
		H.P	kW	M ³ /hr	21.0	27.0	30.0	33.0	36.0	39.0	45.0
				LPM	350	450	500	550	600	650	750
HPMC615/55/3	3	5.0	3.7	TOTAL HEAD IN METERS	30	28	27	25	23	21	15
HPMC615/55/4	4	6.0	4.5		40	38	36	34	31	29	20
HPMC615/55/5	5	7.5	5.5		51	47	45	42	39	36	25
HPMC615/55/6	6	10.0	7.5		61	56	54	50	47	43	30
HPMC615/55/8	8	12.5	9.3		81	75	72	67	62	57	40
HPMC615/55/10	10	15.0	11.0		101	94	90	84	78	72	50
HPMC615/55/12	12	17.5	13.0		121	113	107	101	94	86	60
HPMC615/55/14	14	20.0	15.0		141	132	125	118	109	100	70
HPMC615/55/16	16	25.0	18.5		162	150	143	134	125	114	80

750 LPM

OUTLET SIZE : 75 MM 2900 RPM

PUMP MODEL	STAGE	MOTOR RATING		DISCHARGE							
		H.P	kW	M ³ /hr	30.0	36.0	42.0	45.0	48.0	54.0	60.0
				LPM	500	600	700	750	800	900	1000
HPMC620/75/3	3	6.0	4.5	TOTAL HEAD IN METERS	29	27	25	23	22	18	13
HPMC620/75/4	4	7.5	5.5		39	36	33	31	29	24	17
HPMC620/75/5	5	10.0	7.5		49	46	41	39	36	30	22
HPMC620/75/6	6	12.5	9.3		59	55	50	47	43	35	26
HPMC620/75/7	7	15.0	11.0		69	64	58	54	50	41	30
HPMC620/75/8	8	15.0	11.0		78	73	66	62	58	47	34
HPMC620/75/9	9	17.5	13.0		88	82	74	70	65	53	39
HPMC620/75/10	10	20.0	15.0		98	91	83	78	72	59	43
HPMC620/75/12	12	25.0	18.5		118	109	99	93	86	71	52

900 LPM

OUTLET SIZE : 75 MM 2900 RPM

PUMP MODEL	STAGE	MOTOR RATING		DISCHARGE							
		H.P	kW	M ³ /hr	39.0	45.0	51.0	54.0	57.0	63.0	69.0
				LPM	650	750	850	900	950	1050	1150
HPMC625/90/2	2	5.0	3.7	TOTAL HEAD IN METERS	20	18	17	16	14	12	9
HPMC625/90/3	3	7.5	5.5		29	27	25	23	22	18	13
HPMC625/90/4	4	10.0	7.5		39	36	33	31	29	24	17
HPMC625/90/5	5	12.5	9.3		49	46	41	39	36	30	22
HPMC625/90/6	6	15.0	11.0		59	55	50	47	43	35	26
HPMC625/90/7	7	17.5	13.0		69	64	58	54	50	41	30
HPMC625/90/8	8	20.0	15.0		78	73	66	62	58	47	34
HPMC625/90/10	10	25.0	18.5		98	91	83	78	72	59	43

V7 (Janta Model) Submersible Pumpset

Hayat brand makes highly efficient durable and best Quality V7 submersible pumpset with water filled submersible motors.



SALIENT FEATURES

1. Motor design for wide voltage range.
2. All the rotating parts are balance in precision grade to reduce vibration & noise..
3. Pumps are Design for maximum water discharge.
4. Rotor are painted with special epoxy paint for long life.
5. Pumps are provided with suction guide support.
6. All Bearing sleeves are provided with hard chrome plating.
7. Carbon V/S Stainless steel thrust bearing are provided to withstand high thrust load.
8. Top and suction guide bushes are well protected by sand guards.
9. Winding wires are wrapped with superior polymer to withstand wide voltage fluctuation .
10. Upper thrust provision provided in each model.

APPLICATION

1. High rise buildings
2. Commodity water supply.
- 3 .Hotels, Dairies and bungalows.
4. Irrigation/Sprinkler

MATERIAL OF CONSTRUCTION

MOTOR

Copper	: EC grade min 99.90%.
Stamping	: Silicon steel.
Casting Part	: Cast Iron FG 200 grade.
Thrust Bearing	: Carbon v/s Stainless Steel.
Motor Shaft	: Fully Stainless steel AISI 410.

PUMP

Pump Shaft	: Fully Stainless Steel AISI 410
Suction Housing	: Cast Iron FG 200 grade.
Impeller	: Stainless Steel AISI 410
Diffuser	: Cast Iron FG 200 grade.
Sleeve	: AISI 410 with hard chrome plating.

TECHNICAL SPECIFICATION

Head Range	: 9 to 120 meter
Discharge Range	: 600 to 1700 LPM
Motor Rating	: 3.0 HP to 25 HP in three phase 380V / 415 V, 50Hz, AC Supply 3.0 HP to 5.0 HP in single phase. 230V, 50Hz, AC Supply
Voltage Range	: 160V to 250V (1 Phase) 200V to 440V (3 Phase)

V7 (175mm) SUBMERSIBLE PUMPSETS

1000 LPM

OUTLET SIZE : 100 MM 2900 RPM

PUMP MODEL	STAGE	MOTOR RATING		DISCHARGE							
		H.P	kW	M ³ /hr	36.0	48.0	54.0	60.0	66.0	72.0	84.0
				LPM	600	800	900	1000	1100	1200	1400
HPMC725/100/2	2	5.0	3.7	TOTAL HEAD IN METERS	24	21	19	17	15	13	9
HPMC725/100/3	3	7.5	5.5		36	32	29	26	23	20	14
HPMC725/100/4	4	10.0	7.5		48	42	39	35	31	27	19
HPMC725/100/5	5	12.5	9.3		60	53	49	44	39	34	24
HPMC725/100/6	6	15.0	11.0		72	64	58	52	46	40	28
HPMC725/100/7	7	17.5	13.0		84	74	68	61	54	47	33
HPMC725/100/8	8	20.0	15.0		96	85	78	70	62	54	38
HPMC725/100/9	9	25.0	18.5		108	95	87	78	69	60	42
HPMC725/100/10	10	25.0	18.5		120	106	97	87	77	67	47

1100 LPM

OUTLET SIZE : 100 MM 2900 RPM

PUMP MODEL	STAGE	MOTOR RATING		DISCHARGE							
		H.P	kW	M ³ /hr	42.0	54.0	60.0	66.0	72.0	78.0	90.0
				LPM	700	900	1000	1100	1200	1300	1500
HPMC73/110/2	2	6.0	4.5	TOTAL HEAD IN METERS	25	23	21	20	18	16	11
HPMC73/110/3	3	10.0	7.5		38	35	32	30	27	24	17
HPMC73/110/4	4	12.5	9.3		51	46	43	40	36	32	23
HPMC73/110/5	5	15.0	11.0		64	58	54	50	45	40	29
HPMC73/110/6	6	20.0	15.0		76	69	64	59	54	48	34
HPMC73/110/7	7	25.0	18.5		89	81	75	69	63	56	40
HPMC73/110/8	8	25.0	18.5		102	92	86	79	72	64	46

1200 LPM

OUTLET SIZE : 100 MM 2900 RPM

PUMP MODEL	STAGE	MOTOR RATING		DISCHARGE							
		H.P	kW	M ³ /hr	48.0	60.0	66.0	72.0	78.0	84.0	96.0
				LPM	800	1000	1100	1200	1300	1400	1600
HPMC74/120/2	2	7.5	5.5	TOTAL HEAD IN METERS	28	26	25	23	21	19	15
HPMC74/120/3	3	12.5	9.3		41	39	37	35	32	29	22
HPMC74/120/4	4	15.0	11.0		55	52	49	46	43	39	30
HPMC74/120/5	5	20.0	15.0		69	65	62	58	54	49	37
HPMC74/120/6	6	25.0	18.5		83	77	74	70	64	58	44

1300 LPM

OUTLET SIZE : 100 MM 2900 RPM

PUMP MODEL	STAGE	MOTOR RATING		DISCHARGE							
		H.P	kW	M ³ /hr	54.0	66.0	72.0	78.0	84.0	90.0	102.0
				LPM	900	1100	1200	1300	1400	1500	1700
HPMC75/130/2	2	10.0	7.5	TOTAL HEAD IN METERS	30	28	27	25	23	21	17
HPMC75/130/3	3	15.0	11.0		44	42	40	38	35	32	26
HPMC75/130/4	4	20.0	15.0		59	56	53	50	46	43	35
HPMC75/130/5	5	25.0	18.5		74	70	67	63	58	54	44

V8 (Janta Model) Submersible Pumpset



Hayat brand makes highly efficient durable and best Quality V8 submersible pumpset with water filled submersible motors.

SALIENT FEATURES

1. All pumps are provided with suction guide support.
2. All the rotating parts are balance in precision grade to reduce vibration & noise..
3. All Bearing sleeves are provided with hard chrome plating.
4. Winding wires are wrapped with superior polymer to withstand wide voltage fluctuation.
5. Motor design for wide voltage range.
6. All guide bushes are protected with sand guards.
7. Carbon V/S Stainless steel thrust bearing are provided to withstand high thrust load.
8. Pumps are Design for maximum water discharge.
9. Upper thrust provision provided in each model.
10. Rotor are painted with special epoxy paint for long life.

APPLICATION

1. Commodity water supply.
2. Irrigation/Sprinkler
3. Industrial
4. High rise buildings

MATERIAL OF CONSTRUCTION

MOTOR

Casting Part	: Cast Iron FG 200 grade.
Stamping	: Silicon steel.
Motor Shaft	: Fully Stainless steel AISI 410.
Thrust Bearing	: Carbon v/s Stainless Steel.
Copper	: EC grade min 99.90%.

PUMP

Impeller	: Stainless Steel AISI 410
Diffuser	: Cast Iron FG 200 grade.
Suction Housing	: Cast Iron FG 200 grade.
Pump Shaft	: Fully Stainless Steel AISI 410
Sleeve	: AISI 410 with hard chrome plating.

TECHNICAL SPECIFICATION

Head Range	: 10 to 112 meters
Discharge Range	: 600 to 2200 LPM
Motor Rating	: 3.0 HP to 25 HP in three phase 380V / 415 V, 50Hz, AC Supply 3.0 HP to 5.0 HP in single phase 230V / 50Hz AC Supply
Voltage Range	: 160V to 250V (1 Phase) 200V to 440V (3 Phase)

V8 (200MM) SUBMERSIBLE PUMPSETS

1100 LPM

OUTLET SIZE : 100 MM 2900 RPM

PUMP MODEL	STAGE	MOTOR RATING		DISCHARGE							
		H.P	kW	M ³ /hr	36.0	48.0	54.0	66.0	78.0	84.0	96.0
				LPM	600	800	900	1100	1300	1400	1600
HPMC83/110/2	2	6.0	4.5	TOTAL HEAD IN METERS	28	25	24	20	16	14	10
HPMC83/110/3	3	10.0	7.5		42	38	36	30	24	21	15
HPMC83/110/4	4	12.5	9.3		56	51	48	40	32	28	20
HPMC83/110/5	5	15.0	11.0		70	64	60	51	41	36	25
HPMC83/110/6	6	20.0	15.0		84	76	71	61	49	43	29
HPMC83/110/7	7	25.0	18.5		98	89	83	71	57	50	34
HPMC83/110/8	8	25.0	18.5		112	102	95	81	65	57	39

1200 LPM

OUTLET SIZE : 100 MM 2900 RPM

PUMP MODEL	STAGE	MOTOR RATING		DISCHARGE							
		H.P	kW	M ³ /hr	42.0	54.0	60.0	72.0	84.0	90.0	102.0
				LPM	700	900	1000	1200	1400	1500	1700
HPMC84/120/2	2	7.5	5.5	TOTAL HEAD IN METERS	32	30	29	25	21	19	14
HPMC84/120/3	3	12.5	9.3		48	45	43	38	31	28	21
HPMC84/120/4	4	15.0	11.0		64	60	57	50	42	37	28
HPMC84/120/5	5	20.0	15.0		80	75	72	63	52	47	36
HPMC84/120/6	6	25.0	18.5		96	90	86	75	62	56	43

1300 LPM

OUTLET SIZE : 100 MM 2900 RPM

PUMP MODEL	STAGE	MOTOR RATING		DISCHARGE							
		H.P	kW	M ³ /hr	48.0	60.0	66.0	78.0	90.0	96.0	108.0
				LPM	800	1000	1100	1300	1500	1600	1800
HPMC85/130/2	2	10.0	7.5	TOTAL HEAD IN METERS	35	33	32	28	24	22	17
HPMC85/130/3	3	15.0	11.0		53	49	47	42	36	33	26
HPMC85/130/4	4	20.0	15.0		70	66	63	56	48	44	34
HPMC85/130/5	5	25.0	18.5		88	82	79	71	60	55	43

1400 LPM

OUTLET SIZE : 100 MM 2900 RPM

PUMP MODEL	STAGE	MOTOR RATING		DISCHARGE							
		H.P	kW	M ³ /hr	54.0	66.0	72.0	84.0	96.0	102.0	114.0
				LPM	900	1100	1200	1400	1600	1700	1900
HPMC86/140/2	2	12.5	9.3	TOTAL HEAD IN METERS	37	35	34	31	27	24	19
HPMC86/140/3	3	17.5	13.0		55	52	50	46	40	37	29
HPMC86/140/4	4	25.0	18.5		74	70	67	62	54	49	38

1500 LPM

OUTLET SIZE : 100 MM 2900 RPM

PUMP MODEL	STAGE	MOTOR RATING		DISCHARGE							
		H.P	kW	M ³ /hr	60.0	72.0	78.0	90.0	102.0	108.0	120.0
				LPM	1000	1200	1300	1500	1700	1800	2000
HPMC87/150/2	2	15.0	11.0	TOTAL HEAD IN METERS	40	38	36	33	28	26	20
HPMC87/150/3	3	20.0	15.0		59	57	55	49	42	39	31

1600 LPM

OUTLET SIZE : 100 MM 2900 RPM

PUMP MODEL	STAGE	MOTOR RATING		DISCHARGE							
		H.P	kW	M ³ /hr	66.0	78.0	84.0	96.0	108.0	114.0	126.0
				LPM	1100	1300	1400	1600	1800	1900	2100
HPMC88/160/2	2	17.5	13.0	TOTAL HEAD IN METERS	41	39	38	35	31	29	23
HPMC88/160/3	3	25.0	18.5		61	59	57	52	46	43	35

1700 LPM

OUTLET SIZE : 100 MM 2900 RPM

PUMP MODEL	STAGE	MOTOR RATING		DISCHARGE							
		H.P	kW	M ³ /hr	72.0	84.0	90.0	102.0	114.0	120.0	132.0
				LPM	1200	1400	1500	1700	1900	2000	2200
HPMC810/170/1	1	10.0	7.5	TOTAL HEAD IN METERS	23	22	21	19	17	16	13
HPMC810/170/2	2	20.0	15.0		47	44	42	39	35	32	27

Openwell Submersible Pumps:-

Hayat brand make highly efficient durable and best Quality openwell submersible pump.



SALIENT FEATURES

1. Design for wide voltage range.
2. Manufactured using a much sophisticated control process to ensure reliability & Long life of the pump.
3. Design for underwater Application.
4. Light weight & easy to install.
5. Impeller made from glass filled engineer polymer for better life.
6. Full Stainless steel stator tube as well as stainless steel shaft.
7. Supply with control panel.

MATERIAL OF CONSTRUCTION

Stator Tube	: Stainless Steel / Cast Iron FG 200 Grade.
Thrust Bearing	: Carbon
Impeller	: Glass Filled engineering polymer/Cast iron FG 200
Pump Volute	: Cast Iron FG 200 Grade.

APPLICATION

1. Domestic water supply-Apartment, Building & Hotel
2. Fountains.
3. Canels & Rivers
4. Irrigation from openwell where water level fluctuate.

TECHNICAL SPECIFICATION

Head Range	: 6 to 125 Meter.
Discharge Range	: 25 to 2130 LPM
Motor Rating	: 0.5HP to 5HP (Single Phase) 0.5HP to 15HP (Three Phase)
Voltage Range	: 140V to 250V (1 Phase) 200V to 440V (3 Phase)

DOMESTIC HORIZONTAL OPENWELL SUBMERSIBLE PUMPS

SR. NO.	ALUMINIUM ROTOR MODEL	COPPER ROTOR MODEL	SUC X DEL (mm)	MOTOR RATING			HEAD IN METER															
				H.P	kW		6	8	10	12	14	16	18	20	22	24	26					
1	1HPSAE05	-	25x25	0.5	0.37	Discharge in LPM	170	160	150	130	115	90	60									
2	1HPSAP05	-	25x25	0.5	0.37		180	170	160	145	135	110	85	25								
3	1HPSAP1	1HPSCP1	25x25	1.0	0.75				290	275	255	235	215	190	160	130	90					
4	15HPSAP15	15HPSCP15	40x40	1.5	1.1				335	315	300	275	250	220	190	160	110					
5	2HPSAP2	2HPSCP2	50x50	2.0	1.5				430	405	380	355	320	285	250	220	170					

AGRICULTURE HORIZONTAL OPENWELL SUBMERSIBLE PUMPS

SR. NO.	ALUMINIUM ROTOR MODEL	COPPER ROTOR MODEL	SUC X DEL (mm)	MOTOR RATING			HEAD IN METER																							
				H.P	kW		12	14	16	18	20	22	24	26	28	30	32	34	36	38	40	42	44	46	48	50	52	54		
1	215HPP9CA3	215HPP9CC3	50x40	3.0	2.2	Discharge in LPM		350	340	330	315	300	285	270	250	225	190	150	120	60										
2	215HPV9CA3*	215HPV9CC3*	65x50	3.0	2.2		745	700	665	620	575	520	440	345	180															
3	252HPP9CA3	252HPP9CC3	65x50	3.0	2.2		680	635	580	520	460	380	300	120																
4	25HPV9CA3*	25HPV9CC3*	65x50	3.0	2.2		950	910	850	790	700	590	430																	
5	25HPP9CA3	25HPP9CC3	65x50	3.0	2.2		770	710	650	575	510	460	390																	
6	325HPP9CA3	325HPP9CC3	80x65	3.0	2.2		825	750	630	480																				
7	4HPP9CA3	4HPP9CC3	100x100	3.0	2.2		900	570																						
8	215HPP9CA5	215HPP9CC5	50x40	5.0	3.7								410	395	380	365	350	335	315	290	265	235	190	140						
9	252HPV9CA5*	252HPV9CC5*	65x50	5.0	3.7								825	780	730	680	620	565	500	430	350	250								
10	252HPP9CA5	252HPP9CC5	65x50	5.0	3.7								665	640	610	560	510	450	380	300	175									
11	25HPV9CA5*	25HPV9CC5*	65x50	5.0	3.7			1160	1100	1040	970	900	825	720	565															
12	25HPP9CA5	25HPP9CC5	65x50	5.0	3.7			1000	955	910	840	780	695	605	535	200														
13	325HPP9CA5	325HPP9CC5	80x65	5.0	3.7		1220	1130	1075	980	885	795	680	570																
14	4HPP9CA5	4HPP9CC5	100x100	5.0	3.7		1550	1450	1320	1080	750	400																		
15	2HPP9CA75	2HPP9CC75	50x50	7.5	5.5									480	465	450	435	420	400	365	330	290	265	230	175	100	100			
16	252HPV9CA75	252HPV9CC75	65x50	7.5	5.5										930	860	810	750	700	640	560	480	410	280	150					
17	252HPP9CA75	252HPP9CC75	65x50	7.5	5.5									795	775	750	730	700	660	620	575	520	470	430						
18	25HPP9CA75	25HPP9CC75	65x50	7.5	5.5								1170	1070	980	875	795	725	675	610	530	450								
19	325HPP9CA75	325HPP9CC75	80x65	7.5	5.5		1680	1600	1530	1450	1350	1250	1160	1070	950	800	480													
20	4HPP9CA75	4HPP9CC75	100x100	7.5	5.5		1890	1780	1650	1480	1290	1060	640	320																
21	252HPV9CA10	252HPV9CC10	65x50	10.0	7.5										1065	1020	970	925	875	820	755	700	625	530	375	240	160			
22	3HPP9CA10	3HPP9CC10	80x80	10.0	7.5									1800	1710	1560	1450	1310	1200	1080	700									
23	4HPP9CA10	4HPP9CC10	100x100	10.0	7.5			2130	1940	1800	1650	1500	1220	890	630	400														

Note - *marks model are available in V7 design also

AGRICULTURE VERTICAL OPENWELL SUBMERSIBLE PUMPS

SR. NO.	MODEL	STAGE	OUTLET (mm)	MOTOR RATING			HEAD IN METER																						
				H.P	kW		20	25	30	35	40	45	50	55	60	65	70	75	80	85	90	95	100	105	110	115	120	125	
1	25/2HPVCC3	2	65	3.0	2.2	Discharge in LPM	600	510	405	300																			
2	25/2HPVCC5	2	65	5.0	3.7		790	740	675	590	475	300																	
3	25/3HPVCC5	3	65	5.0	3.7				570	530	490	435	370	290	170														
4	25/2HPVCC75	2	65	7.5	5.5		915	845	765	660	520	270																	
5	25/3HPVCC75	3	65	7.5	5.5				790	750	700	650	590	530	440	350	190												
6	25/4HPVCC75	4	65	7.5	5.5						610	580	545	495	430	390	320	260	210										
7	25/3HPVCC10	3	65	10.0	7.5						875	825	760	705	640	555	485	365											
8	25/4HPVCC10	4	65	10.0	7.5						775	735	690	640	580	545	500	430	350	250									
9	25/5HPVCC10	5	65	10.0	7.5						605	575	540	500	460	430	400	370	335	295	245	195	90						
10	25/4HPVCC125	4	65	12.5	9.3						865	825	775	725	690	650	600	545	480	390	280								
11	25/5HPVCC125	5	65	12.5	9.3							790	745	690	660	620	585	550	510	465	415	350	250						
12	25/6HPVCC125	6	65	12.5	9.3						625	595	565	525	500	475	450	425	400	370	340	305	270	210	150	80			
13	25/5HPVCC15	5	65	15.0	11.0							925	880	825	795	785	735	700	660	620	580	535	490	430	355	245			
14	25/6HPVCC15	6	65	15.0	11.0							825	775	745	710	680	650	615	585	550	520	480	440	395	345	275			

Control Panel

Hayat brand high Quality Control panel for submersible pumpset.



SALIENT FEATURES

1. Overload protection through Circuit Breaker.
2. Easy to install.
3. Start Capacitor for torque induction by split phasing.
4. Run capacitor for improving P.F. and lower down the current intake.
5. Also Available Dry Run Protection(optional).

TECHNICAL SPECIFICATION

1. For Single Phase : Up to 5.0 HP
2. For Three Phase : Up to 20 HP



Cable Selection Table

VOLTS	MOTOR RATING		CABLE SIZE SQUARE MILLIMETERS												MAXIMUM LENGTH IN METERS
	kW	HP	1.5	2.5	4	6	10	16	25	35	50	70	95	120	
380/415 VOLT 50 Hz	0.75	1.0	380	630	1020	1525	2595	4032	6111	8366					
	1.1	1.5	300	500	810	1210	2060	3200	4850	6640	9220				
	1.5	2.0	220	370	590	880	1500	2340	3560	4890	6830	9230			
	2.2	3.0	150	250	400	600	1030	1600	2440	3350	4680	6340	7990		
	3.0	4.0	110	190	310	460	790	1230	1880	2590	3630	4930	6230		
	3.7	5.0	90	150	240	370	630	980	1490	2050	2870	3900	4920		
	4.0	5.5	80	140	230	340	590	920	1390	1910	2670	3600	4520		
	4.5	6.0	70	130	220	320	550	860	1310	1790	2510	3390	4260		
	5.5	7.5	60	110	170	260	440	690	1060	1450	2030	2750	3460		
	7.5	10.0	50	90	130	200	340	530	810	1110	1560	2120	2680		
	9.3	12.5		80	100	160	280	440	670	920	1310	1780	2250		
	11	15.0		70	90	130	230	360	550	750	1060	1440	1820		
	13	17.5			80	110	200	310	480	650	920	1250	1580		
	15	20			70	100	170	270	410	570	800	1080	1370		
	18.5	25				80	140	210	330	450	630	860	1090		
	22	30				70	120	180	280	380	540	740	930		
	26	35					100	150	230	310	440	610	770	870	
	30	40					90	130	210	280	400	540	680	780	
37	50						110	170	230	320	440	550	700		
45	60							140	190	260	360	460	560		
56	75								160	220	290	380	340		
75	100									160	220	280	340		
93	125										170	220	260		

VOLTS	MOTOR RATING		CABLE SIZE SQUARE MILLIMETERS											MAXIMUM LENGTH IN METERS
	kW	HP	1.5	2.5	4	6	10	16	25	35	50	70	95	
220/240 VOLT 50 Hz(±3%)	0.37	0.5	120	200	320	480	810	1260	1900	2590	3580	4770	5920	
	0.55	0.75	80	130	250	320	550	850	1290	1760	2430	3230	4000	
	0.75	1.0	60	100	170	250	430	670	1010	1380	1910	2550	3160	
	1.1	1.5	40	70	120	180	300	470	710	980	1360	1850	2320	
	1.5	2.0	30	60	90	130	230	360	550	760	1060	1440	1820	
	2.2	3.0		40	60	100	170	280	430	600	820	1080	1310	
	3.0	4.0		30	60	90	140	240	380	560	750	950	1200	
	3.7	5.0		20	50	80	120	200	340	520	700	900	1150	

Capacitor & Relay Selection Table for V3 Pumpset

HP	Running Capacitor (MFD)	Starting Capacitor (MFD)	Full Load (AMP)	Use Relay Range (AMP)
0.5	36	80-100	5.0	4.5 TO 7.5
0.75	50	80-100	6.5	4.5 TO 7.5
1.0	50	100-120	7.5	6.0 TO 10.0
1.25	61	100-120	8.5	6.0 TO 10.0
1.5	72	100-120	9.5	9.0 TO 15.0

Capacitor & Relay Selection Table for V4 Pumpset

HP	Running Capacitor (MFD)	Starting Capacitor (MFD)	Full Load (AMP)	Use Relay Range (AMP)
0.5	36	80-100	5.0	4.5 TO 7.5
0.75	36	80-100	6.5	4.5 TO 7.5
1.0	50	100-120	7.5	6.0 TO 10.0
1.5	61	100-120	9.5	9.0 TO 15.0
2.0	72	120-150	12	9.0 TO 15.0 OR 10.0 TO 16.0
3.0	108	120-150	15	15.0 TO 22.0 OR 14.0 TO 21.0
4.0	125	150-200	20	20.0 TO 33.0
5.0	150	150-200	25	20.0 TO 33.0

Conversion Table

Power :	
1 HP(Si)	0.746 kW
	746 W
1 HP(Metric)	0.736 kW
	736 W
1 kW	1000 W
Head :	
1 mtrs.	3.28 ft.
1 ft	0.3048 m.
1 kg/cm ²	10 mtrs
Discharge Rate:	
1 m ³ /h	16.67 l/min
1 m ³ /s	60,000 l/min
1 l/s	60 l/min
1 Cu ft/s	1699.2 l/min
1 Imp. DPH	0.0757 l/min
	0.000126 l/min

Pressure :	
1 Atmosphere	1.033 kg/cm ²
1 Atmosphere	14.7 lb/in ²
1 Atmosphere	10.34 mwc
1 lb /in ²	0.704 mwc
1 lb /in ²	2.31 ft wc
1 lb /in ²	51.6 mm of mercury.
1 cusec	1705 lpm.
	1 Acre inch/hr.
1 Cu mec	20558.3 Imp.
	1 Acre ft/hr.
Discharge :	
1 Imp Gallon	4.546 ltrs.
1 US Gallon	3.785 ltrs.
1 Cu m.	1000 ltrs.
1 Cu ft.	28.32 ltrs.
Weight :	
1 kg.	1000 gm.
1 kg.	2.2046 lb.
1 kg.	0.4536 kg.

Technical detail's of Motor

V3 / V4 Motor -SINGLE PHASE

Sr. No.	kW/ H.P	Speed in R.P.M	Current in Amp.
			(230V)
1	0.37/0.5	2760	5.3
2	0.55/0.75	2770	6.2
3	0.75/1.0	2780	7.5
4	1.1/1.5	2780	10.5
5	1.5/2.0	2790	13.8
6	2.2/3.0	2790	19.8
7	3.0/4.0	2800	23.0
8	3.7/5.0	2800	28.0

V4 Motor -THREE PHASE

Sr. No.	kW/ H.P.	Speed in R.P.M	Current in Amp.				Connection
			415V	380V	350V	300V	
1	0.37/0.5	2740	1.3	1.4	1.5	1.8	Star
2	0.55/0.75	2750	1.9	2.1	2.3	2.6	Star
3	0.75/1.0	2750	2.4	2.6	2.8	3.3	Star
4	1.1/1.5	2750	4.0	4.3	4.7	5.5	Star
5	1.5/2.0	2760	4.8	5.2	5.7	6.6	Star
6	2.2/3.0	2770	6.9	7.5	8.2	9.5	Star
7	3.0/4.0	2770	9.0	9.8	10.6	12.4	Star
8	3.7/5.0	2780	10.6	11.5	12.5	14.6	Star
9	4.5/6.0	2780	12.6	13.7	14.9	17.4	Star
10	5.5/7.5	2790	15.5	16.9	18.3	21.4	Star

V5 Motor -THREE PHASE

Sr. No.	kW/ H.P.	Speed in R.P.M	Current in Amp.				Connection
			415V	380V	350V	300V	
1	3.7/5.0	2820	10.0	10.9	11.5	13.5	Star
2	4.5/6.0	2820	12.0	13.0	14.0	16.5	Star
3	5.5/7.5	2820	14.5	15.8	17.0	20.0	Star
4	7.5/10.0	2830	19.5	21.0	23.0	27.0	Star/Delta

V6 Motor -THREE PHASE

Sr. No.	kW / H.P.	Speed in R.P.M	Current in Amp.				Connection
			415V	380V	350V	300V	
1	2.2/3.0	2790	6.5	7.0	7.5	9.0	Star
2	3.0/4.0	2790	8.5	9.2	10.0	11.5	Star
3	3.7/5.0	2810	10.0	10.9	11.5	13.5	Star
4	4.5/6.0	2810	12.0	13.0	14.0	16.5	Star
5	5.5/7.5	2820	14.5	15.8	17.0	20.0	Star
6	5.5/7.5	2820	14.5	15.8	17.0	20.0	Star/Delta
7	7.5/10	2820	19.5	21.0	23.0	27.0	Star/Delta
8	9.3/12.5	2830	25.0	27.0	26.5	34.5	Star/Delta
9	11.0/15.0	2830	29.0	31.5	34.0	40.0	Star/Delta
10	13.0/17.5	2850	34.0	37.0	40.0	47.0	Star/Delta
11	15.0/20.0	2850	39.0	42.5	46.0	53.5	Star/Delta
12	18.5/25.0	2850	48.0	52.0	56.0	66.0	Star/Delta

V5 / V6 Motor -SINGLE PHASE

Sr. No.	kW / H.P	Speed in R.P.M	Current in Amp.
			230V
1	2.2/3.0	2800	15.0
2	3.0/4.0	2800	20.0
3	3.7/5.0	2800	25.0

Friction Loss Table

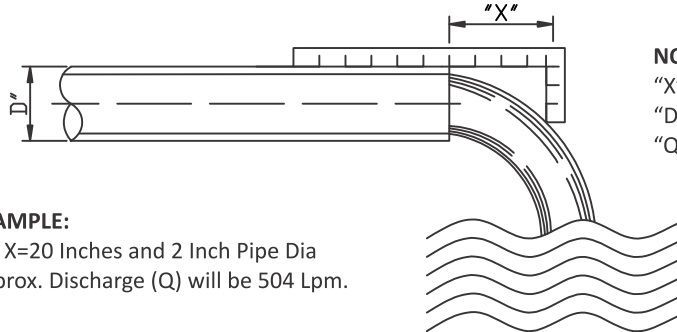
Galvanized Steel Pipe

VOLUME RATE OF FLOW (LPM)	NOMINAL PIPE DIA IN mm								
	40	50	63	75	90	110	125	140	160
	FRICTION LOSS in meters (for 10 meters long pipe)								
30	0.074								
60	0.268								
75	0.405	0.131							
96	0.640	0.211							
120	0.967	0.310							
150	1.462	0.483	0.150						
192	2.309	0.762	0.250	0.106					
240	3.491	1.153	0.337	0.160					
300		1.742	0.571	0.242					
480		4.161	1.363	0.577	0.237				
600			2.060	0.873	0.358	0.133			
750			3.114	1.319	0.542	0.201			
960			4.919	2.084	0.856	0.317	0.172		
1200				3.151	1.293	0.479	0.260		
1500					1.955	0.715	0.392	0.225	0.117
1920					3.089	1.145		0.355	0.184
2400						1.731	0.937	0.537	0.279
3000						2.617	1.416	0.812	0.421

Rigid Pipe PVC

VOLUME RATE OF FLOW (LPM)	NOMINAL PIPE DIA IN mm								
	25	32	40	50	65	80	100	125	150
	FRICTION LOSS in meters (for 10 meters long pipe)								
30	0.074								
60	0.268								
75	0.405	0.131							
96	0.640	0.211							
120	0.967	0.310							
150	1.462	0.483	0.150						
192	2.309	0.762	0.250	0.106					
240	3.491	1.153	0.337	0.160					
300		1.742	0.571	0.242					
480		4.161	1.363	0.577	0.237				
600			2.060	0.873	0.358	0.133			
750			3.114	1.319	0.542	0.201			
960			4.919	2.084	0.856	0.317	0.172		
1200				3.151	1.293	0.479	0.260		
1500					1.955	0.715	0.392	0.225	0.117
1920					3.089	1.145		0.355	0.184
2400						1.731	0.937	0.537	0.279
3000						2.617	1.416	0.812	0.421

Discharge Rating Table



NOTE:

"X": Horizontal Distance in Inches
 "D": Normal Pipe Diameter in Inches
 "Q": Discharge In LPM.

EXAMPLE:

For X=20 Inches and 2 Inch Pipe Dia
 Approx. Discharge (Q) will be 504 Lpm.

HORIZONTAL DISTANCE "X" IN INCHES	NOMINAL PIPE DIAMETER								
	1"	1.25"	1.5"	2"	2.5"	3"	4"	5"	6"
	DISCHARGE RATE (Q) (LPM)								
4	26	44	60	100	141	222	377	590	863
5	32	55	75	127	177	277	472	749	1090
6	39	67	91	150	213	331	567	885	1294
7	46	78	105	177	250	386	663	1044	1521
8	51	89	120	200	281	445	754	1180	1725
9	58	100	135	227	318	499	849	1339	1952
10	64	111	151	250	354	554	944	1475	2156
11	71	118	166	277	390	608	1040	1634	2383
12	77	132	177	300	427	667	1135	1771	2588
13	84	143	195	327	459	722	1226	1930	2815
14	91	154	211	350	495	776	1321	2043	3019
15	97	165	225	377	531	831	1416	2225	3223
16	104	177	240	400	567	890	1512	2361	3450
17	109	188	256	427	604	944	1603	2520	3677
18	116	198	271	450	636	999	1698	2679	3882
19	123	210	286	477	672	1053	1793	2815	4109
20	129	221	301	500	708	1108	1889	2951	4313
21	137	232	316	527	745	1162	1984	3110	4540
22	142	243	331	554	781	1221	2075	3269	4767
23	148	254	345	577	813	1276	2170	3405	4971
24	155	265	360	604	849	1330	2265	3541	5175
25	161	276	375	627	885	1389	2361	3700	5402
26	167	287	390	654	922	1444	2456	3836	5607
27	174	298	405	676	958	1498	2547	3995	5834
28	181	308	421	704	990	1553	2642		
29	187	320	436	726	1026	1607	2738		
30	193	331	451	754	1062	1666	2833		
31			468	776	1099	1721			
32			481	804	1135	1775			
33			495	826	1167	1830			
34			513	854	1203	1884			
35			527	881	1239	1943			
36			540	903	1276	1998			

Note: All Specifications and Table in catalogue are for reference only as because of Continuous development it may change without prior notification.



HAYAT PUMPS PVT. LTD.

Plot No. 11 & 12, Shreeram Ind. Area,

Lothda - Pardi Road, At. Lothda Dist.

Rajkot 360 002. Gujarat, INDIA

E-mail : info@hayatpump.com

www.hayatpump.com

